

Request for Quotation - How to Use These Forms

Builders and Dealers: If you are a builder or dealer who does not have a Fypon account number, please send a copy of this request to your Fypon distributor. If you do not know the name or location of your distributor, you can search for one in your area by accessing the Fypon website at www.fypon.com and using the dealer/distributor locator. Or, contact your Fypon customer service representative at 800.446.3040.

Fypon distributors: Fill out the forms contained in this folder and fax them to 866.646.1302 or e-mail to info@fypon.com. Please complete the Request for Quotation form for all quote requests. This form must accompany any Product Templates or Product Sketch Sheets faxed to Technical Sales. Products must be quoted prior to ordering. Please do not send a purchase order with a quote request.

Important: Have you checked our catalogs or website for items that are similar and could be used as a substitute? With over 6,000 products and many more being added each day, the item you need may already exist and have an assigned price. Check our online catalog at www.fypon.com for the latest offerings. In addition to new products, there you will also find CAD drawings and pricing.

To Request a Quote: Fill out the Request for Quotation Form and provide all information listed.

Contact Information Section - Required information for all quote requests.

- 1 Company Name: Enter the name of your firm.
- 2 Fypon Account Number: 6 digit number assigned to your account.
- 3 Address: Street address of your headquarters or branch requesting the quote.
- 4 City, State, Zip Code: Provide the City, State & Zip Code in which your headquarters or branch is located.
- 5 Contact Name: Individual's name who can answer questions concerning the project.
- 6 Phone, Fax Number & E-mail Address: Pertinent contact information for the contact individual.

Project Information Section - Please provide us with any information about your project that will help us improve our service to you. When requesting quotes on small quantities of fabricated items, this information may not be necessary.

- 7 Project Name: Job name or description of project being quoted.
- 8 Quote Required by: The date you need the quote.
- 9 Project Budget for Urethane: If you know the budget for the urethane millwork portion of the project, please provide it so we can tailor the product to fit your budget. This will save time and effort in preparing a quote that meets your needs.
- 10 What other materials are being considered for this project? Indicate any other material that is being considered so we can tailor our quote to meet material performance and installation criteria.
- 11 Date Product Required On Jobsite: Please provide the date that you need to have the product to the jobsite.
- 12 Quantity Required: Indicate the quantity required for the project for each product for which you need a quote. The amount required can help determine if a product should be fabricated or custom manufactured. This can affect the price of the product. IF NO QUANTITY IS PROVIDED WE WILL ASSUME A QUANTITY OF 1 AND PRICE THE PRODUCT ACCORDINGLY. **Note:** If multiple products are requested using the same quote form, please note the quantity for each product in the space provided on the individual product drawings.

Product Specifications - Please use the Product Drawing and Product Sketch sheets to provide us with product specifications for the items which you need quoted.

- 13 Product Drawings (on following pages) can be used if the part you need matches the drawings but your specifications require different dimensions or the addition of an accessory, i.e. a keystone or dentil moulding. Provide the dimensions and quantities you need on the appropriate drawing and any notes that may be helpful.
- 14 Sketch your requirements. If you need something really special, please use the Product Sketch Sheet to provide a drawing with all pertinent dimensions and notes and we will quote a fabricated or custom product to your specifications.

If you do not receive a quote within 48 hours, please contact Technical Sales at 866.646.1302.

Sample Forms



Fypon Technical Sales
960 West Barre Road
Archbold, Ohio 43502

REQUEST FOR QUOTATION

Phone: 800.446.3040 US and Canada
419.445.0116
Fax: 800.446.9373 US and Canada
419.445.4440

TO: FYPON TECH SALES

FAX NUMBER: 800.446.9373

DATE: _____

NUMBER OF PAGES FAXED: _____

Please complete this form for all quote requests. This form must accompany any Product Drawing or Product Sketch sheets faxed to Technical Sales. **Important:** Products must be quoted prior to ordering. Please do not send a purchase order with a quote request.

Please check the Fypon catalog or website for items or sizes before requesting a quote. New products are continually being added.

Fypon products are sold and serviced through a network of wholesale distributors and dealers. We do not sell direct to consumers. We recommend that this form be completed by an authorized Fypon distributor/dealer. Visit www.fypon.com or contact customer service at 800.446.3040 for a Fypon supplier in your area.

CONTACT INFORMATION Required.

- 1 COMPANY NAME: _____
- 2 FYPON ACCOUNT NO: _____
- 3 ADDRESS: _____
- 4 CITY: _____ STATE: _____ ZIP: _____
- 5 CONTACT NAME: _____
- 6 PHONE: _____ FAX: _____ E-MAIL ADDRESS: _____

PROJECT INFORMATION Items in red are required.

- 7 PROJECT NAME: _____
- 8 QUOTE REQUIRED BY: ____/____/____
- 9 PROJECT BUDGET FOR URETHANE (if known): _____
- 10 OTHER MATERIALS BEING CONSIDERED: WOOD PVC OTHER (type) _____
- 11 **DATE PRODUCT REQUIRED ON JOBSITE:** Required Field _____
- 12 **QUANTITY REQUIRED (of each item):** Required Field _____ 1 - 10 11 - 30 more than 30

Important: The quantity required can have an effect on piece price and lead times. Please be sure to include this information for each item so we can provide accurate information in our quote. If multiple products are requested using the same quote form, please note the quantity for each product in the space provided on the individual product drawings.

For questions and information contact:

e-mail: info@fypon.com

web: www.fypon.com (for electronic copies of these forms and examples of fabricated and custom products)



Fypon Technical Sales
960 West Barre Road
Archbold, Ohio 43502

PRODUCT DRAWINGS

Phone: 800.446.3040 US and Canada
419.445.0116
Fax: 800.446.9373 US and Canada
419.445.4440

The project shapes on these pages indicate some of the most popular items that can be fabricated in special sizes or configurations. Select the basic part you need and indicate the dimensions and quantity required for your project in the appropriate spaces. If you don't see a product that matches your needs, use the last page of this form to sketch a custom part. Please provide all dimensions, quantities and notes so we can provide an accurate quote in a timely manner.

PLEASE INCLUDE A COMPLETED REQUEST FOR QUOTATION FORM WHEN SUBMITTING THESE PAGES.

| 13 | ARCH & FLANKER | ARCH - ELLIPTICAL <small>Template Required</small> | |
|----|---|---|--|
| | | | |
| | <small>Note: This image is for dimensional relationships and may not be representative of the style you desire. You can specify any arch and crosshead flanker your project requires.</small> | <small>Note: A good quality, full-size template must be received by Tech Sales before production can begin on this piece.</small> | |
| | A= _____ Arch Style: <input type="checkbox"/> 4F <input type="checkbox"/> 4M <input type="checkbox"/> 6F <input type="checkbox"/> 6M <input type="checkbox"/> 10" D | A= _____ B= _____ C= _____ | |
| | Keystone: <input type="checkbox"/> Yes <input type="checkbox"/> No | Available in Flat profiles only. | |
| | Flankers: <input type="checkbox"/> 6" Ht. <input type="checkbox"/> 10" Ht. | Standard Projection= 1" | |



Fypon Technical Sales
960 West Barre Road
Archbold, Ohio 43502

PRODUCT SKETCH SHEET

Phone: 800.446.3040 US and Canada
419.445.0116
Fax: 800.446.9373 US and Canada
419.445.4440

If you cannot find a standard part that closely matches your requirements, sketch your design for a custom part here. **Please be sure to include all dimensions known to ensure an accurate quote.**

Will you supply an existing piece of millwork for Fypon to use as a master? YES NO

Competitor's Part Number (if applicable): _____ Competitor Name: _____

Product Surface Texture: SMOOTH WOOD GRAIN (not available on all configurations)

PLEASE INCLUDE A COMPLETED REQUEST FOR QUOTATION FORM WHEN SUBMITTING THIS SHEET.

14



Fypon Technical Sales
 960 West Barre Road
 Archbold, Ohio 43502

REQUEST FOR QUOTATION

Phone: 800.446.3040 US and Canada
 419.445.0116
 Fax: 866.646.1302 US and Canada

TO: FYPON TECH SALES

FAX NUMBER: 866.646.1302

DATE: _____

NUMBER OF PAGES FAXED: _____

Please complete this form for all quote requests. This form must accompany any Product Drawing or Product Sketch sheets faxed to Technical Sales. **Important:** Products must be quoted prior to ordering. Please do not send a purchase order with a quote request.

Please check the Fypon catalog or website for items or sizes before requesting a quote. New products are continually being added.

Fypon products are sold and serviced through a network of wholesale distributors and dealers. We do not sell direct to consumers. We recommend that this form be completed by an authorized Fypon distributor/dealer. Visit www.fypon.com or contact customer service at 800.446.3040 for a Fypon supplier in your area.

CONTACT INFORMATION *Required.*

COMPANY NAME: _____ FYPON ACCOUNT NO: _____

ADDRESS: _____

CITY: _____ STATE: _____ ZIP: _____

CONTACT NAME: _____

PHONE: _____ FAX: _____ E-MAIL ADDRESS: _____

PROJECT INFORMATION *Items in red are required.*

PROJECT NAME: _____

QUOTE REQUIRED BY: ____ / ____ / ____ PROJECT BUDGET FOR URETHANE *(if known)*: _____

OTHER MATERIALS BEING CONSIDERED: WOOD PVC OTHER *(type)* _____

DATE PRODUCT REQUIRED ON JOBSITE: *Required Field* _____

QUANTITY REQUIRED (of each item): *Required Field* _____ 1 – 10 11 – 30 more than 30

Important: The quantity required can have an effect on piece price and lead times. Please be sure to include this information for each item so we can provide accurate information in our quote. If multiple products are requested using the same quote form, please note the quantity for each product in the space provided on the individual product drawings.

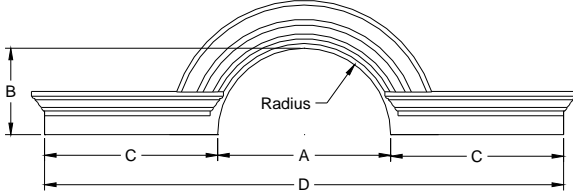
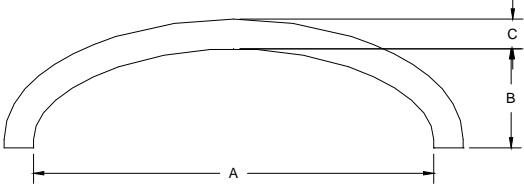
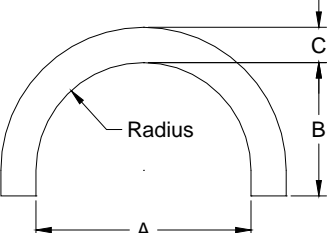
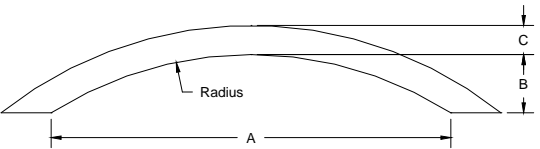
For questions and information contact:

e-mail: info@fypon.com

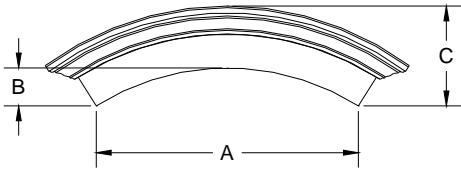
web: www.fypon.com (for electronic copies of these forms and examples of fabricated and custom products)

The project shapes on these pages indicate some of the most popular items that can be fabricated in special sizes or configurations. Select the basic part you need and indicate the dimensions and quantity required for your project in the appropriate spaces. If you don't see a product that matches your needs, use the last page of this form to sketch a custom part. Please provide all dimensions, quantities and notes so we can provide an accurate quote in a timely manner.

PLEASE INCLUDE A COMPLETED **REQUEST FOR QUOTATION** FORM WHEN SUBMITTING THESE PAGES.

| | |
|--|--|
| <h3 style="text-align: center;">ARCH & FLANKER</h3>  <p><i>Note: This image is for dimensional relationships and may not be representative of the style you desire. You can specify any arch and crosshead flanker your project requires.</i></p> <p>A= _____ Arch Style: <input type="checkbox"/> 4F Keystone: <input type="checkbox"/> Yes B= _____<i>Req.</i> <input type="checkbox"/> 4M <input type="checkbox"/> No C= _____ <input type="checkbox"/> 6F D= _____ <input type="checkbox"/> 6M Flankers: <input type="checkbox"/> 6" Ht. Radius= _____ <input type="checkbox"/> 10" Dec. <input type="checkbox"/> 9" Ht.</p> <p>Qty: _____</p> | <h3 style="text-align: center;">ARCH – ELLIPTICAL</h3> <p style="text-align: center;"><i>Template Required</i></p>  <p><i>Note: A good quality, full-size template must be received by Tech Sales before production can begin on this piece.</i></p> <p>A= _____ B= _____ C= _____</p> <p>Moulding Profile= _____</p> <p>Standard Projection (Flat Profile)= 1"</p> <p>Qty: _____</p> |
| <h3 style="text-align: center;">ARCH – HALF ROUND</h3>  <p>A= _____ B= _____ C= _____</p> <p>Radius= _____ (if known) Moulding Profile= _____</p> <p>Qty: _____</p> | <h3 style="text-align: center;">ARCH – SEGMENT</h3>  <p>A= _____ B= _____ C= _____</p> <p>Radius= _____ (if known) Moulding Profile= _____</p> <p>Qty: _____</p> |

ARCHED CROSSHEAD



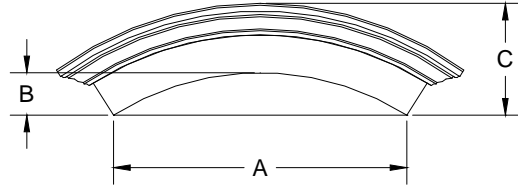
A= _____ B= _____ C= _____

Radius = _____ (if known)

Keystone: Yes Crosshead Style: WCH6
 No WCH9

Qty: _____

ARCHED CROSSHEAD - SOLID

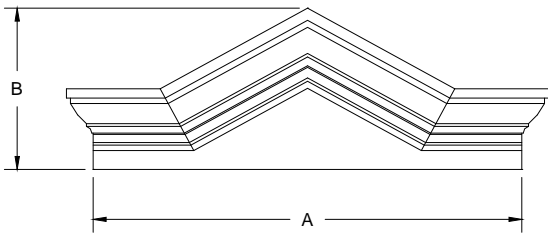


A= _____ B= _____ C= _____

Keystone: Yes Crosshead Style: WCH6
 No WCH9

Qty: _____

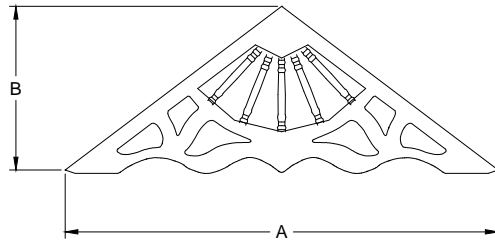
CROSSHEAD PEAKED CAP PEDIMENT



A= _____ B= _____

Qty: _____

GABLE PEDIMENT

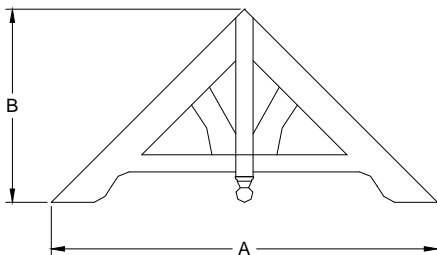


A= _____ B= _____ Pitch= _____/12

Standard Projection= 1"

Qty: _____

GABLE PEDIMENT – ARCH STYLE

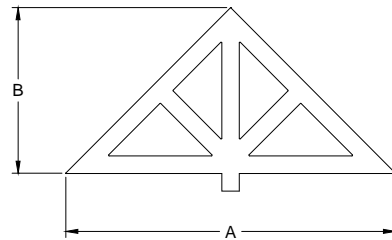


A= _____ B= _____ Pitch= _____/12

Standard Projection= 2 3/4"

Qty: _____

GABLE PEDIMENT – FLAT STYLE

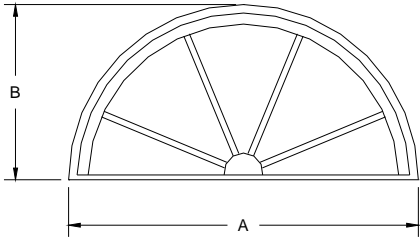


A= _____ B= _____ Pitch= _____/12

Standard Projection= 1"

Qty: _____

HALF ROUND SPOKED PEDIMENT

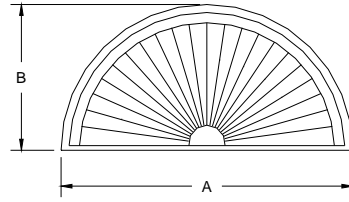


A= _____ B= _____

Radius= _____

Qty: ____

HALF ROUND SUNBURST PEDIMENT

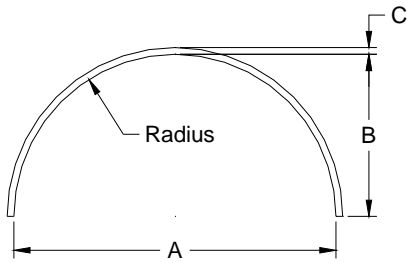


A= _____ B= _____

Radius= _____

Qty: ____

JAMB LINER

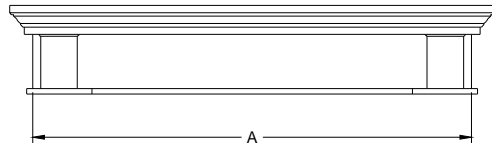


A= _____ B= _____ C= _____

Radius= _____ Jamb Depth= _____

Qty: ____

LARGE DOOR CROSSHEAD

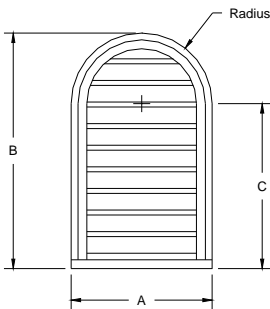


A= _____

Standard Height= 18 1/4"

Qty: ____

LOUVER – CATHEDRAL

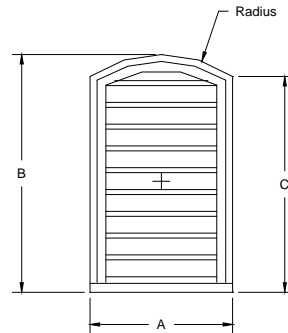


A= _____ B= _____ C= _____

Radius= _____ Functional or Decorative

Qty: ____

LOUVER – EYEBROW

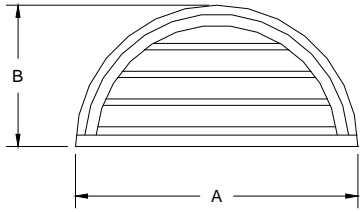


A= _____ B= _____ C= _____

Radius= _____ (if known) Functional or Decorative

Qty: ____

LOUVER – HALF ROUND

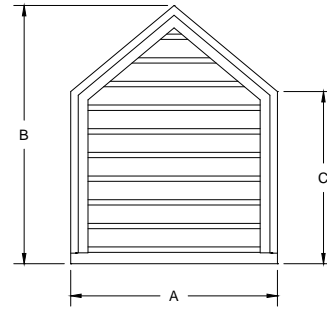


A= _____ B= _____

Radius= _____ (if known) Functional or Decorative

Qty: _____

LOUVER – PEAKED

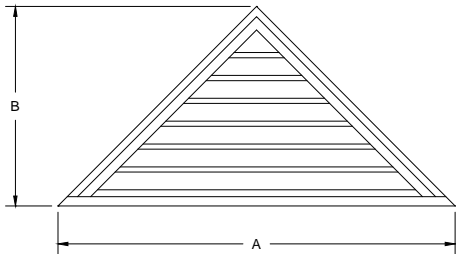


A= _____ B= _____ C= _____

Pitch= ____/12 Functional or Decorative

Qty: _____

LOUVER – TRIANGLE

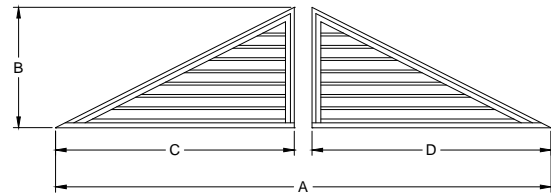


A= _____ B= _____

Pitch= ____/12 Functional or Decorative

Qty: _____

LOUVER – TWO-PIECE TRIANGLE



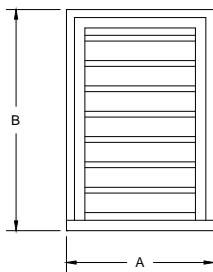
A= _____ B= _____

C= _____ D= _____

Pitch= ____/12 Functional or Decorative

Qty: _____

LOUVER – VERTICAL

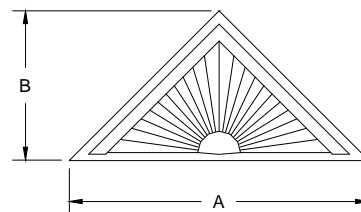


A= _____ B= _____

Functional or Decorative

Qty: _____

PEAKED SUNBURST WINDOW PEDIMENT

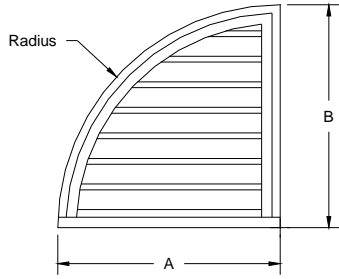


A= _____ B= _____

Pitch= ____/12

Qty: _____

QUARTER ROUND LOUVER – LEFT

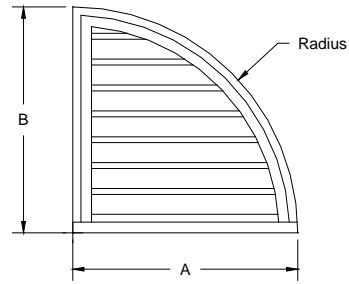


A= _____ B= _____ Radius= _____

Functional or Decorative

Qty: _____

QUARTER ROUND LOUVER – RIGHT

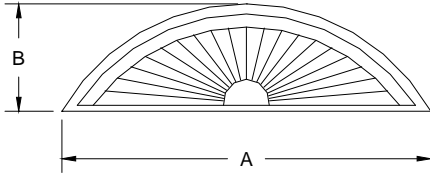


A= _____ B= _____ Radius= _____

Functional or Decorative

Qty: _____

SEGMENT SUNBURST

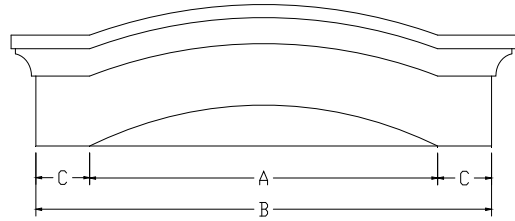


A= _____ B= _____

Radius= _____

Qty: _____

WINDOW CROSSHEAD SEGMENT

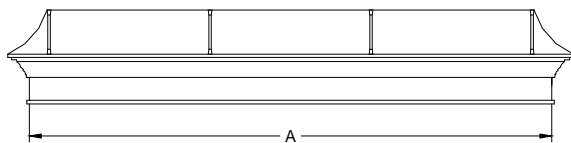


A= _____ B= _____ C= _____

Height may vary from 10"–12 1/8" depending on length desired.

Qty: _____

WINDOW HEAD MANTLE

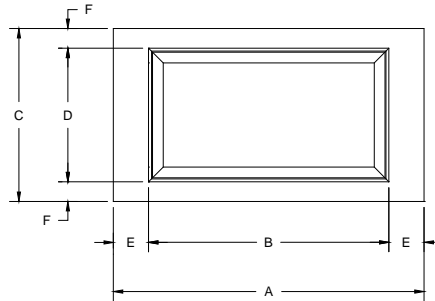


A= _____ Add Dentil= Yes No

Standard Height= 19"

Qty: _____

WINDOW PANEL



A= _____ B= _____ C= _____ D= _____

E= _____ F= _____

No. of Panels= _____ Bottom Sill= Yes No

Standard Rail Width (E & F) is 4" unless otherwise specified.

Qty: _____



Fypon Technical Sales
960 West Barre Road
Archbold, Ohio 43502

PRODUCT SKETCH SHEET

Phone: 800.446.3040 US and Canada
419.445.0116
Fax: 866.646.1302 US and Canada

If you cannot find a standard part that closely matches your requirements, sketch your design for a custom part here. **Please be sure to include all dimensions known to ensure an accurate quote.**

Will you supply an existing piece of millwork for Fypon to use as a master? YES NO

Competitor's Part Number *(if applicable)*: _____ Competitor Name: _____

Product Surface Texture: SMOOTH WOOD GRAIN *(not available on all configurations)*

PLEASE INCLUDE A COMPLETED **REQUEST FOR QUOTATION** FORM WHEN SUBMITTING THIS SHEET.